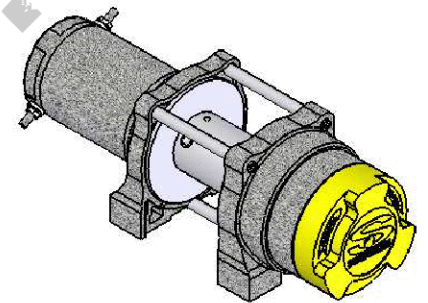
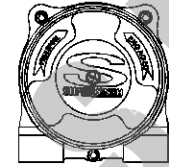
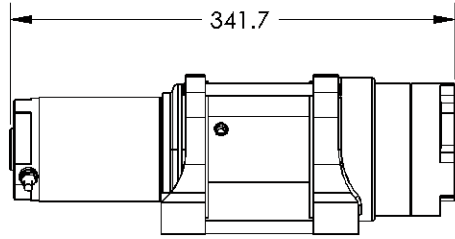
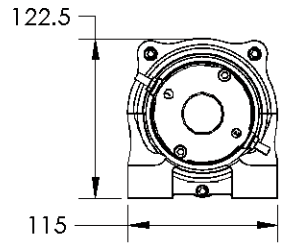
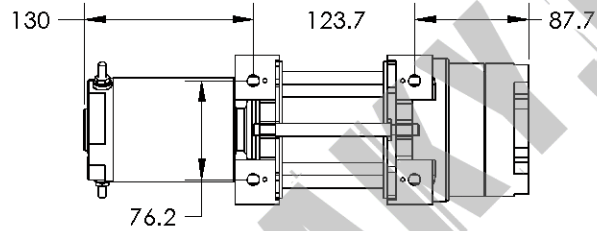


1 2 3 4 5 6

A



B




C

D

THIS DOCUMENT CONTAINS PROPRIETARY DATA FOR PRODUCTS DESIGNED BY SUPERWINCH, INC. NO DISCLOSURE, REPRODUCTION, OR USE OF ANY PART THEREOF MAY BE MADE EXCEPT BY WRITTEN PERMISSION

NAVIANT PRO

PART NO.	DESCRIPTION	QTY				
MATERIAL						
 <small>PUTNAM, CONNECTICUT 06260 U.S.A.</small>		DWN BY: SS				
		DATE: 5/6/10				
		SCALE: 1:4				
		APPR BY:				
TITLE: TERRA 35 FITMENT DIMENSIONS		DOC REL:				
REV	ECN	BY	DATE	DO NOT SCALE, COMPUTER GENERATED PRINT	DRAWING NUMBER:	REV.
REVISIONS				SHEET 1 OF 1	NA	NA