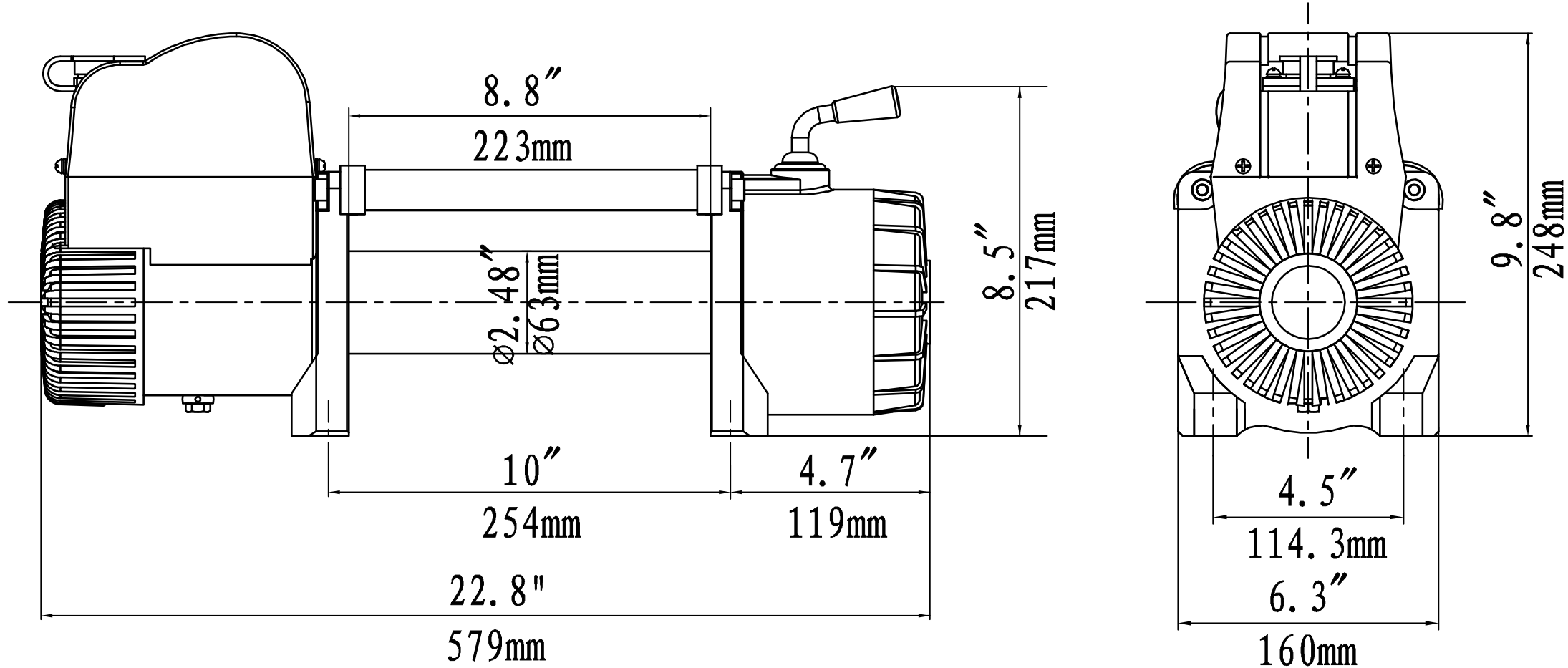




S9500 HS SAMURAI TECHNICAL DIAGRAM



VALUE WITHOUT COMPROMISE