

Introduction

► Feature

- Line pull: 9,000 lb synthetic rope first layer
Synthetic rope: 10 mm × 15.2 m (3/8"×50') synthetic rope SK-75
Brake: Patented cone brake holds full load
Clutch: Turn the T-handle for rapid rope payout
Control: Handheld pendant switch to power the winch

► Unpacking

- Winch assembly..... 1 pc
- Control box..... 1 pc
- Remote control..... 1 pc
- Synthetic rope with clevis hook..... 1 pc
- Hawse fairlead..... 1 pc
- 6' 2 gauge battery lead..... 1 pc

► Read this manual carefully

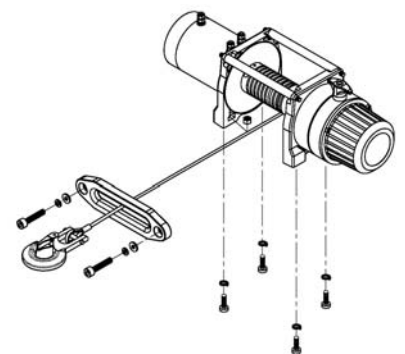
You should carefully read and understand this manual before operating it. Careless winch operation may result in personal injury hazards or property damage.

Installation

Before using the winch, make sure all electrical components have no corrosion or damaged; the environment should be clear and dry.

► Winch and Hawse fairlead mountings

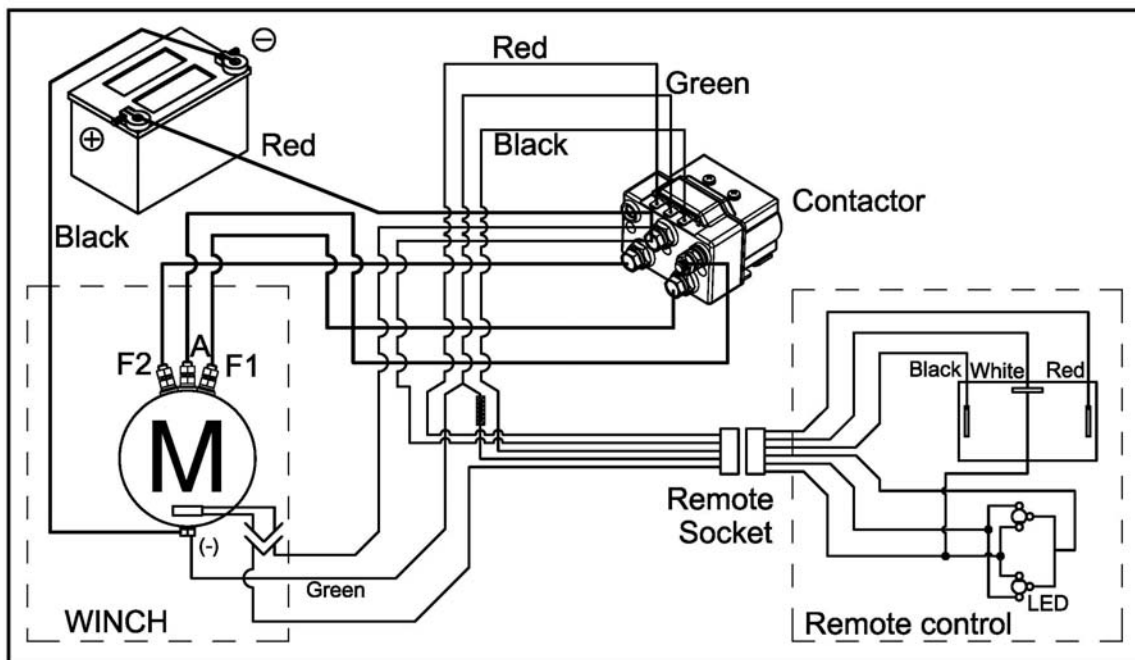
- It is very important that the winch will be mounted on a flat and hard surface of mounting channel in order to make sure the motor, drum and gearbox housing are aligned correctly.
- Hawse fairlead does not mount to the winch directly.
- The synthetic rope shall be wound in an under-wound orientation only.



- Four (4) M10 x 1.50 pitch 8.8 grade high tensile steel bolts must be used in order to sustain the loads imposed on the winch mounting.
- Two (2) M8 x 1.0 pitch 8.8 grade high tensile steel bolts must be used for fastening the hawse fairlead into the mounting channel.

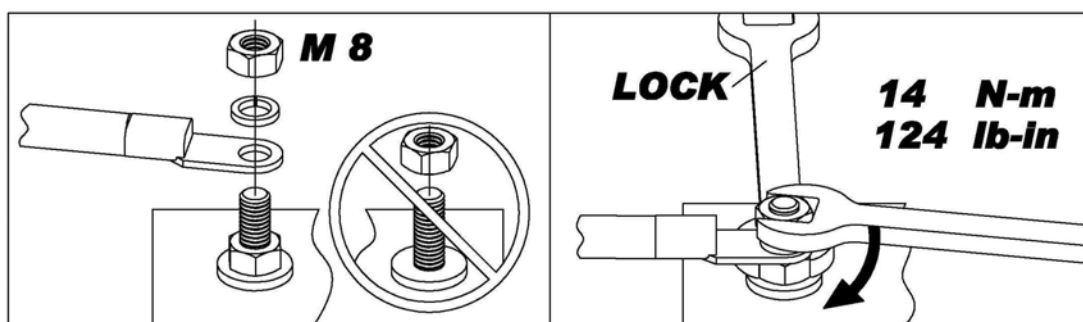
► Wiring Diagram

Attach the black lead firmly to the negative (-) battery terminal and red lead to the positive (+) battery terminal. The voltage drop for the winch motor must not exceed 10% of the nominal voltage of 12/24V DC.



► Nut fastening for motor & contactor

1. Holding the lower nut on the stub and fastening the upper nut clockwise.
2. The torque setting for nut is 124 lb-in.



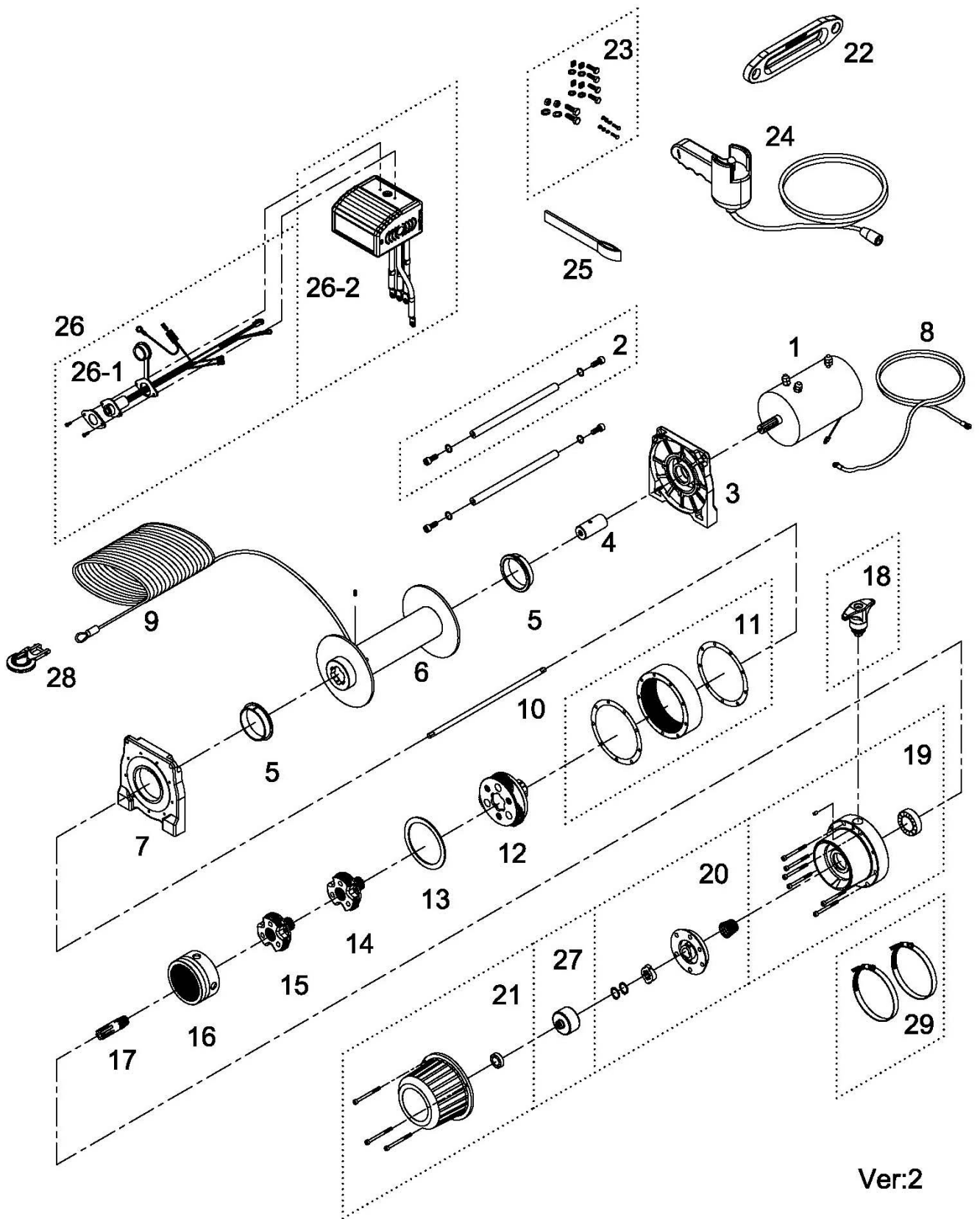
Warning

- The winch is not intended to be used in any manner for the movement or lifting of personnel.
- The rated line pull shown is based on the first layer of rope on the drum.
- The rope winding on the drum shall remain 10 wraps from the drum to support the rated load.
- Manufacturer is not responsible for the results of misuse, misapplication, faulty installation or abuse of synthetic rope in any way.

Parts List

Item No.	Description	Part No.	Qty
1	Motor 12V	882272	1
2	Tie bar kit	882273	2
3	Motor support rack	882274	1
4	Motor coupling	880005	1
5	Drum bushing	880006	2
6	Drum kit	882275	1
7	Gearbox support rack	882276	1
8	Grounding lead	880009	1
9	Synthetic rope	882271	1
10	1 st shaft	882277	1
11	3 rd ring gear kit	882278	1
12	3 rd stage carrier	880013	1
13	3 rd bushing	880014	1
14	2 nd stage carrier	880015	1
15	1 st stage carrier	880016	1
16	1 st & 2nd ring gear	880017	1
17	1 st pinion kit	880018	1
18	Clutch kit	881303	1
19	Gear box kit	882279	1
20	Cone brake disc kit	880021	1
21	Brake cover kit	882280	1
22	Hawse fairlead	882152	1
23	Mounting hardware	880024	1
24	Remote control	880126	1
25	Handsaver strap	880026	1
26	Control box 12V	881164	1
26-1	Remote socket kit 12V	881373	1
26-2	Control pack 12V	881400	1
27	Brake clutch base	881100	1
28	Clevis hook	882024	1
29	Clamp	882160	2

Winch Assembly



Ver:2