

Introduction

► Feature

Line pull:	5,443 kg / 12,000 lb wire rope first layer
Wire rope:	9.5 mm × 38 m (3/8" × 125') galvanized aircraft A7 × 19
Brake:	Patented cone brake holds full load
Clutch:	Turn the T-handle for rapid wire rope payout
Control:	Handheld pendant switch powers the winch

► Unpacking

• Winch assembly.....	1 pc
• Detachable control box.....	1 pc
• Remote control.....	1 pc
• Wire rope with hook.....	1 pc
• Roller fairlead.....	1 pc
• 1.8 m (6') 2 gauge battery lead.....	1 pc

► Read this manual carefully

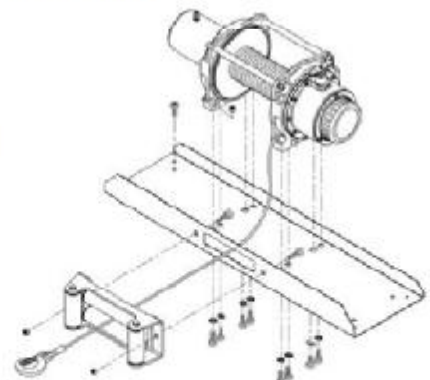
You should carefully read and understand this manual before operating it. Careless winch operation may result in personal injury hazards or property damage.

Installation

Before using the winch, make sure all electrical components have no corrosion or damaged; the environment should be clear and dry.

► Winch and roller fairlead mountings

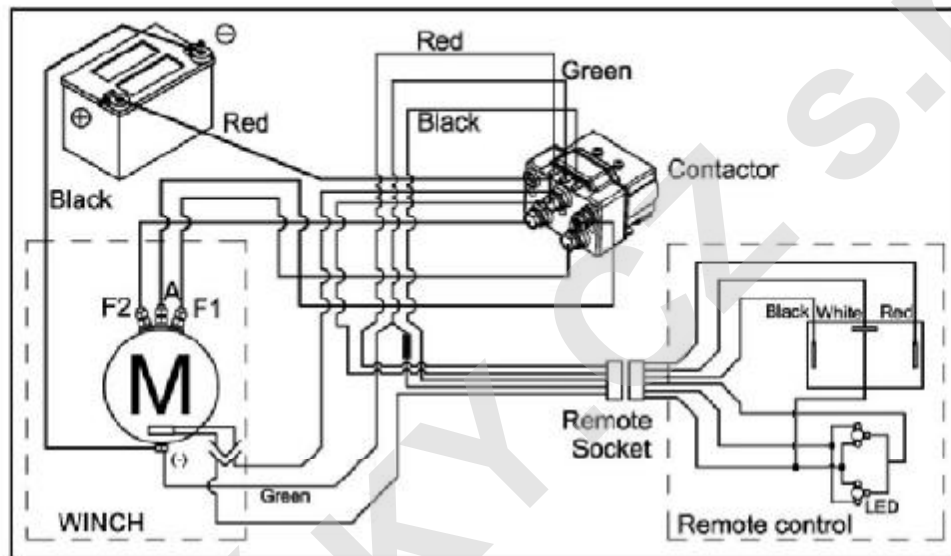
- It is very important that the winch will be mounted on a flat and hard surface of mounting channel in order to make sure the motor, drum and gearbox housing are aligned correctly.
- Roller fairlead does not mount to the winch directly.



- The wire rope shall be wound in an under-wound orientation only.
- Eight (8) M12 x 1.75 pitch 8.8 grade high tensile steel bolts must be used in order to sustain the loads imposed on the winch mounting.
- Two (2) M12 x 1.75 pitch 8.8 grade high tensile steel bolts must be used for fastening the roller fairlead into the mounting channel.

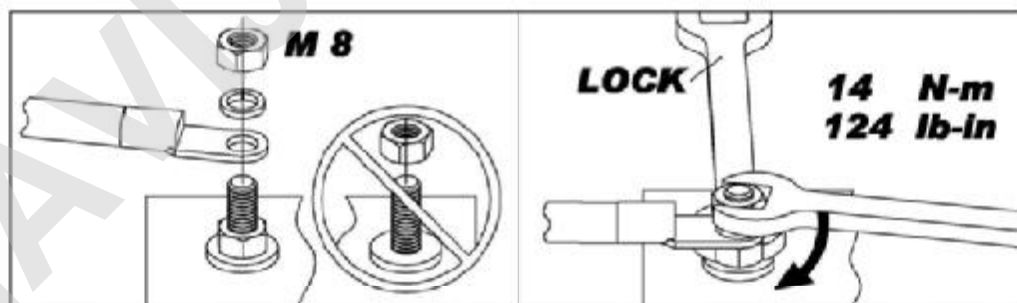
► Wiring Diagram

Attach the black lead firmly to the negative (-) battery terminal and red lead to the positive (+) battery terminal. The voltage drop for the winch motor must not exceed 10% of the nominal voltage of 12/24V DC.



► Nut fastening for motor & contactor

1. Holding the lower nut on the stub and fastening the upper nut clockwise.
2. The torque setting for nut is 14 N-m/124 lb-in.



Warning

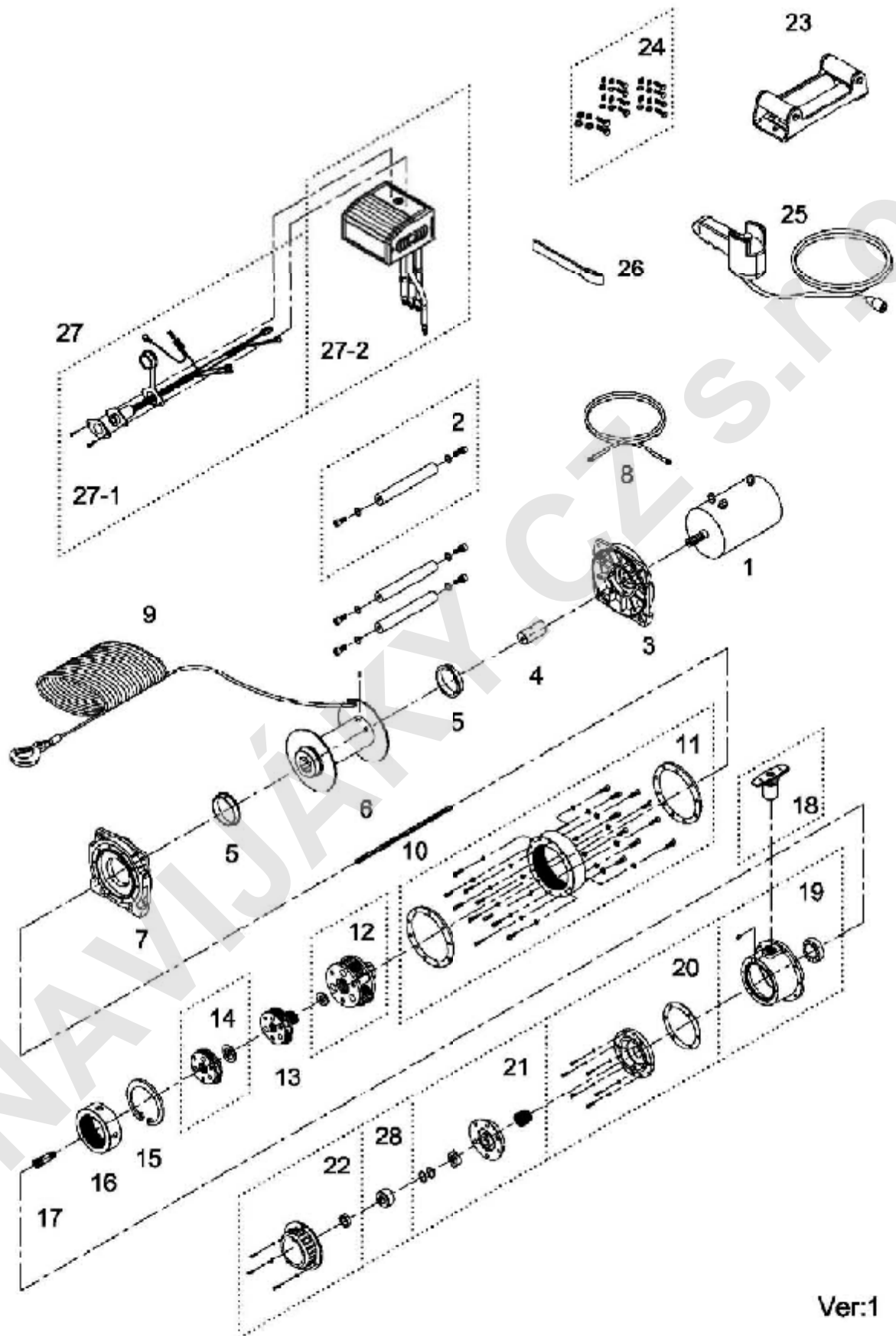
- The winch is not intended to be used in any manner for the movement or lifting of personnel.
- The rated line pull shown is based on the first layer of rope on the drum.
- The rope winding on the drum shall remain 5 wraps from the drum.

Parts List

Ver:1

Item No.	Description	Part No.	Qty
1	Motor 12V	881296	1
	Motor 24V	881297	
2	Tie bar kit	880045	3
3	Motor support rack	880046	1
4	Motor coupling	880047	1
5	Drum bushing	880048	2
6	Drum kit	880049	1
7	Gearbox support rack	880050	1
8	Grounding lead	880009	1
9	Wire rope w/hook	880052	1
10	1 st shaft	880053	1
11	3 rd ring gear kit	880054	1
12	3 rd stage carrier	880055	1
13	2 nd stage carrier	880056	1
14	1 st stage carrier	880057	1
15	Retaining ring	880058	1
16	1 st & 2 nd ring gear	880059	1
17	1 st pinion	880060	1
18	Clutch kit	880061	1
19	Gear box kit	880062	1
20	Brake base	880063	1
21	Cone brake disc kit	880021	1
22	Brake cover kit	880065	1
23	Roller fairlead	880066	1
24	Mounting hardware	880067	1
25	Remote control	880126	1
26	Handsaver strap	880026	1
27	Detachable control box 12V	881164	1
	Detachable control box 24V	881165	
27-1	Remote socket kit 12V	881373	1
	Remote socket kit 24V	881374	
27-2	Detachable control pack 12V	881400	1
	Detachable control pack 24V	881401	
28	Brake clutch base	881434	1

Winch Assembly



Ver:1