

### Introduction

#### ► Feature

- Line pull: 5,440 kg / 12,000 lb single line ( SAE J706 rating)  
5,100 kg single line (EN-14492-1 rating)
- Brakes: Automatic, full load CBS & an auxiliary inverted current brake
- Clutch: Turn the T-handle for rapid wire rope payout
- Control: Handheld pendant switch powers the winch

#### ► Read this manual carefully

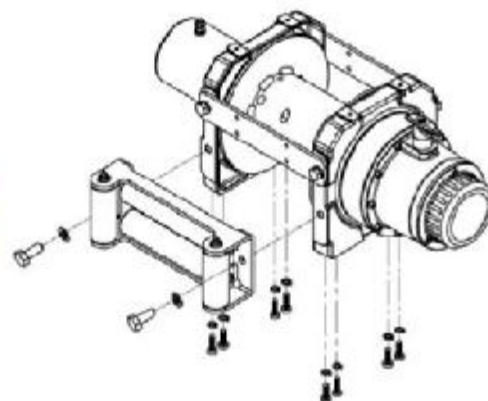
You should carefully read and understand this manual before operating it. Careless winch operation may result in personal injury hazards or property damage.

### Installation

Before using the winch, make sure all electrical components have no corrosion or damaged; the environment should be clear and dry.

#### ► Mounting

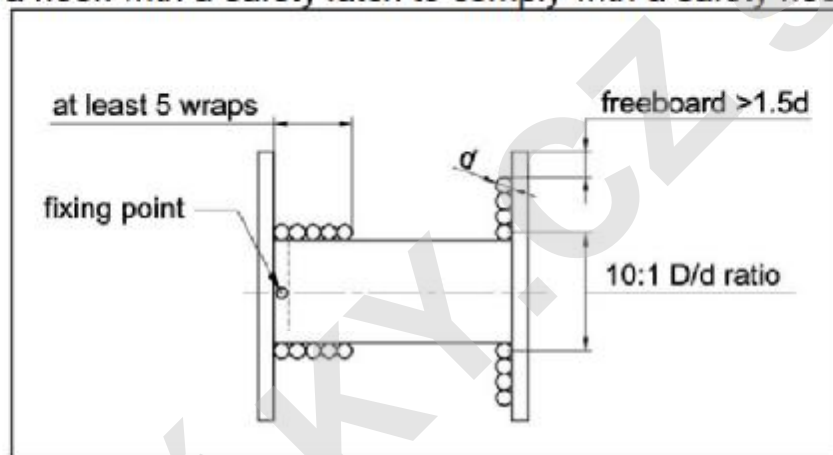
- Winch shall be mounted on a flat and hard surface.
- Winch should be mounted as closed to center and as horizontal as possible to the direction of the line pull.
- Wire rope shall be wound in an under-wound orientation only.
- Eight (8) M12 X 1.5 pitch 12.9 grade high tensile steel bolts must be used in order to sustain the loads imposed on the winch mounting.
- Two (2) M12 x 1.5 pitch 8.8 grade high tensile steel bolts must be used for fastening the roller fairlead into the mounting channel.
- It is always preferred to use both tie bars in the final installed configuration.



### Compliance with EN 14492-1

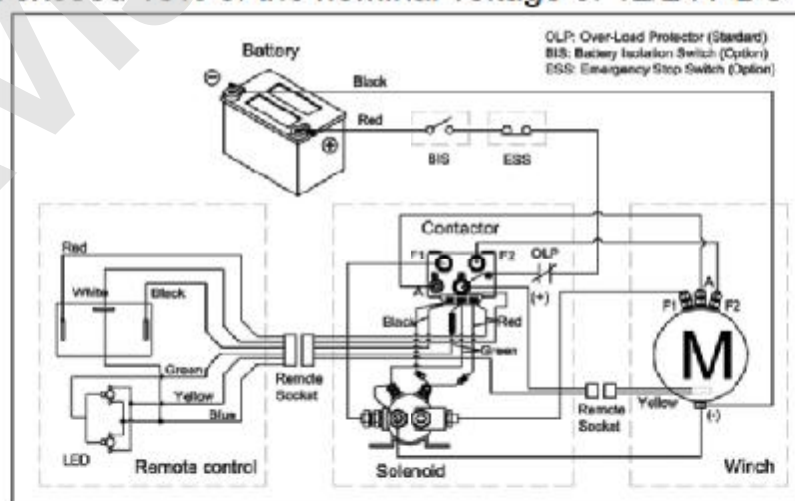
The winch complies with European Standard of EN-14492:2006 Power-Driven Winches and the latest Machinery Directive: 2006/42/EC provided that the OWNER or END USER complies with all responsibilities described below.

1. Refer to the Instruction Manual to install winch for safe winching operation.
2. Fit a wire rope at 12 mm (1/2") x 30.5 m (100') grade 1960 N/mm<sup>2</sup> or EIPS with a minimum breaking strength of 100.5 KN to comply with EN ratings;
  - \* Rope drives with steel wire rope shall be dimensioned
  - \* At least 2:1 wire rope working coefficient for the first rope layer.
  - \* At least 10:1 D/d ratio to the centre of the rope
  - \* At least 1.5 layer of wire rope freeboard.
3. The wire rope must be painted red for 1.6 m on both ends and at least five (5) wraps of wire rope remained around the drum to comply with EN ratings;
  - \* At least two rope windings on the drum.
  - \* Rope attachment to withstand 2.5 x the remaining static force.
4. Fit an emergency stop switch to comply with emergency stop function.
5. Fit a hook with a safety latch to comply with a safety hook.



### ► Wiring Diagram

- Attach the black lead firmly to the negative (-) battery terminal and red lead to the positive (+) battery terminal. The voltage drop for the winch motor must not exceed 10% of the nominal voltage of 12/24V DC



- The over-load protector built in the control box shall be manually reset after reducing the load.

## Warning

- The winch is not intended to be used in any manner for the movement or lifting of personnel.
- The rated line pull shown is based on the first layer of rope on the drum for the winch only, consult the wire rope manufacturer for wire rope rating.
- The rope winding on the drum shall remain 5 wraps from the drum.

## Parts List

				Ver:0
Item No.	Description	Part No.	Qty	
1	Motor 12V	881296	1	
	Motor 24V	881297		
2	Tie bar kit	881583	2	
3	Motor support rack kit	881595	1	
4	Motor coupling	880047	1	
5	Drum bushing	880048	2	
6	Drum kit	881596	1	
7	Gearbox support rack	881597	1	
8	Grounding lead	880009	1	
9	1 <sup>st</sup> shaft	880053	1	
10	3 <sup>rd</sup> ring gear kit	880054	1	
11	3 <sup>rd</sup> stage carrier kit	880055	1	
12	2 <sup>nd</sup> stage carrier kit	880104	1	
13	1 <sup>st</sup> stage carrier kit	880107	1	
14	C ring	880058	1	
15	1 <sup>st</sup> & 2 <sup>nd</sup> ring gear	880059	1	
16	1 <sup>st</sup> pinion kit	880060	1	
17	Clutch kit	880061	1	
18	Gear box kit	880062	1	
19	Brake base	880063	1	
20	Cone brake disc kit	880021	1	
21	Brake cover kit	880065	1	
22	Roller fairlead	881587	1	
23	Mounting hardware	881598	1	
24	Remote control	880126	1	
25	Detachable control box 12V	881645	1	
	Detachable control box 24V	881646		
25-1	Remote socket kit 12V	881589	1	
	Remote socket kit 24V	881590		
25-2	Detachable control pack 12V	881647	1	
	Detachable control pack 24V	881648		
26	Brake clutch base	881434	1	

# Winch Assembly

