

Introduction

► Feature

Line pull:	5,443 kg / 12,00 lb wire rope first layer	
Motor:	12V: 3,430 w / 4.6 hp	24V: 2,240 w / 3.0 hp
Line speed:	6.2 mpm / 20.3 fpm, 70A/12V, 40A/24V at no load, 1.0 mpm / 3.3 fpm, 350A/12V, 190A/24V at full load	
Brake:	Irreversible worm gear brake PLUS mechanism ratchet wheel brake providing 100% braking	
Clutch:	Turn the mechanism lever for rapid wire rope payout	
Wire rope:	9.5 mm × 30.5 m (3/8" × 100') galvanized aircraft A7 x 19	
Control:	Handheld pendant switch powers the winch	

► Unpacking

· Detachable control box.....	1pc
· Remote control.....	1pc
· Wire rope with hook.....	1pc
· Roller fairlead.....	1pc
· Cable tensioner.....	1pc
· 1.8 m (6') 2 gauge battery leads.....	1pc

► Read this manual carefully

You should carefully read and understand this manual before operating it. Careless winch operation may result in personal injury hazards or property damage.

► Information requesting or parts ordering

Please specify the followings information:

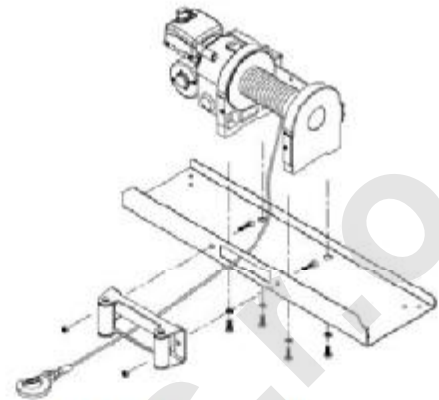
- Winch PN
- Serial number
- Part description
- Part number
- Quantity for each part

Installation

Before using the winch, make sure all electrical components have no corrosion or damaged; the environment should be clear and dry.

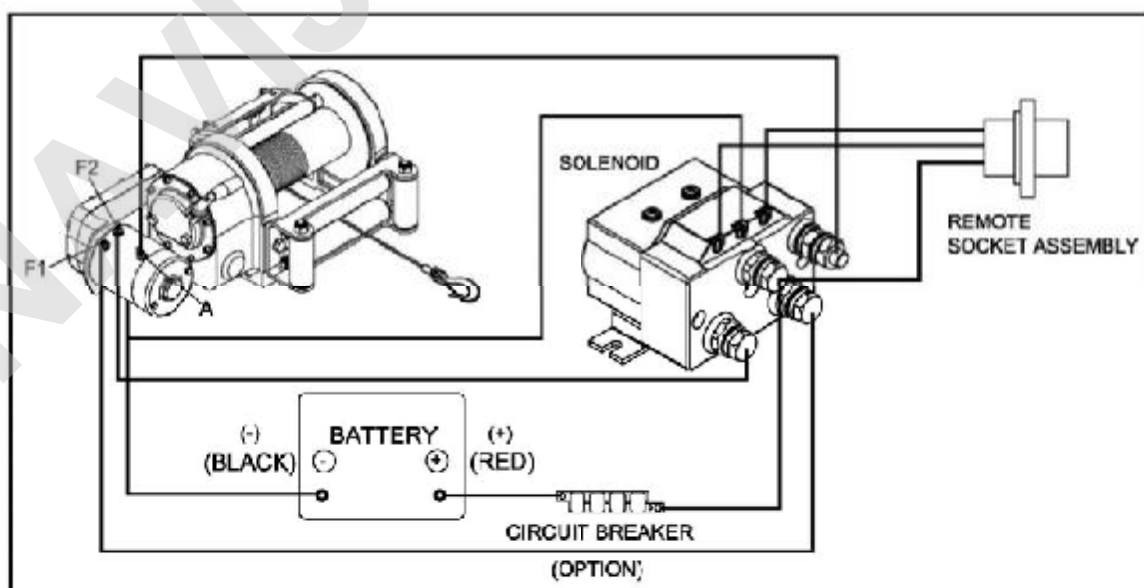
► Mounting

- It is very important that the winch will be mounted on a flat and hard surface of mounting channel in order to make sure the motor, drum and gearbox housing are aligned correctly.
- The wire rope shall be wound in an under-wound orientation only.
- Four (4) M10 x 1.50 pitch 8.8 grade high tensile steel bolts must be used in order to sustain The loads imposed on the winch mounting.
- Two (2) M12 x 1.75 pitch 8.8 grade high tensile steel bolts must be used for fastening the roller fairlead into the mounting channel.
- It is always preferred to use both tie bars in the final installed configuration.
- If there is a rope pileup on one end of the drum, reverse the winch to relieve the load and move your anchor point further to the centre of the vehicle. Then you can rewind for a neat layer of the rope.



► Wiring Diagram

Attach the black lead firmly to the negative (-) battery terminal and red lead to the positive (+) battery terminal. The voltage drop for the winch motor must not exceed 10% of the nominal voltage of 12/24V.



Warning

- The winch is not intended to be used in any manner for the movement or lifting of personnel.
- The rated line pull shown is based on the first layer of rope on the drum for the winch only. Consult the wire rope manufacturer for wire rope rating.
- The rope winding on the drum shall remain 5 wraps from the drum.

Parts List

Ver:8

Item No.	Description	Part No.	Qty
1	Motor 12V	880001	1
	Motor 24V	880306	
2	Bearing kit	880323	1
3	Gearbox base kit	880324	1
4	2 nd gear kit	880325	1
5	1 st shaft kit	880355	1
6	2 nd shaft	880327	1
7	1 st gear kit	880356	1
8	Gearbox upper base	880329	1
9	Thrust bearing kit	880330	1
10	Worm kit	880331	1
11	Thrust bearing kit	880332	1
12	Needle bearing kit	880333	1
13	Gear box	880334	1
14	Drum kit	880357	1
15	Support rack	880336	1
16	Worm wheel kit	880337	1
17	Output shaft kit	880338	1
18	Gearbox rear cover	880339	1
19	Detachable control box 12V	880340	1
	Detachable control box 24V	880341	1
20	Grounding lead	880009	1
21	Wire rope w/hook	880106	1
22	Cable tensioner	880358	1
23	Tie bar kit	880359	1
24	Roller fairlead	880023	1
25	Remote control	880025	1
26	Mounting hardware	880343	1
27	Handsaver strap	880026	1

Winch Assembly

