

Introduction

► Feature

Line pull:	1,588 kg / 3,500 lb wire rope first layer
Wire rope:	5.5 mm x 15.2 m (7/32" x 50') galvanized aircraft A7 x 19
Brake:	Mechanical and dynamic brakes hold full load
Clutch:	Raise the clutch level for rapid wire rope payout
Control:	Handheld pendant switch powers the winch

► Unpacking

· Integrated solenoid kit.....	1 pc
· Remote control.....	1 pc
· Wire rope with hook.....	1 pc
· Roller fairlead.....	1 pc
· 1.5 m battery leads.....	1 pc
· Circuit breaker.....	1 pc

► Read this manual carefully

You should carefully read and understand this manual before operating it. Careless winch operation may result in personal injury hazards or property damage.

► Information requesting or parts ordering

Please specify the followings information:

- | | |
|--------------------------|---------------------------|
| · Winch PN | · Part description |
| · Serial number | · Replacement part number |
| · Quantity for each part | |

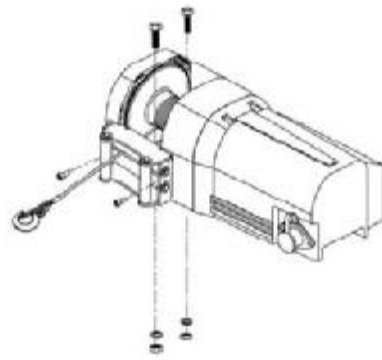
Installation

Before using the winch, make sure all electrical components have no corrosion or damaged; the environment should be clear and dry.

The voltage drop must not exceed 10% of the nominal voltage of 12V or 24V under normal operation condition.

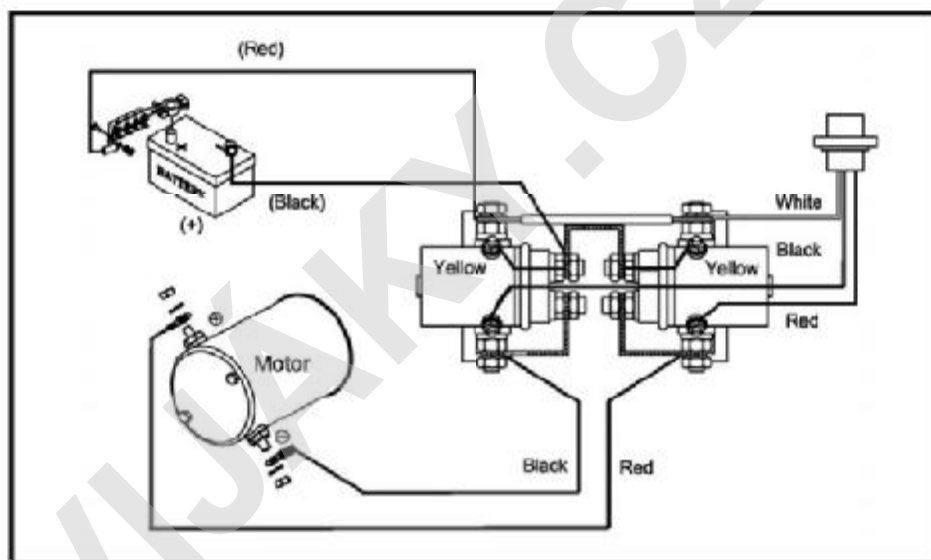
► Winch and roller fairlead mounting

- Use the mounting hardware supplied to mount the winch on a flat surface.
- The motor, drum and gear housing must be properly aligned.



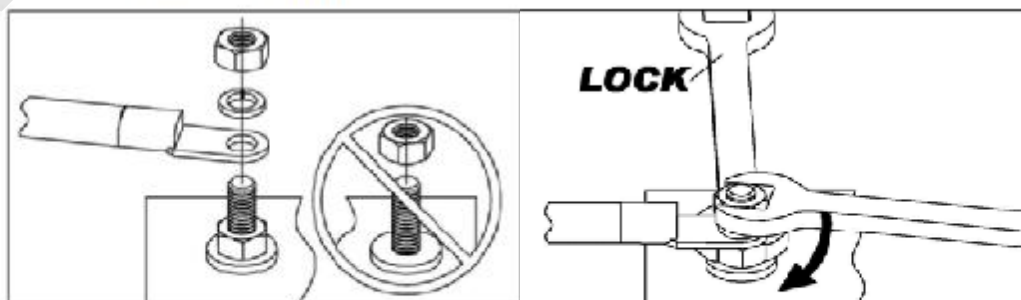
► Wiring Diagram

- The battery lead specifications for 12V winch are 6 AWG X 1.5 m (5') and 8 AWG X 1.5 m (5') for 24V winch respectively.
- Use a 5/16" bolt, nut and washer to attach the firmly to the bolts of solenoid respectively.
- Attach the red lead, positive (+), tightly to the circuit breaker marked AUX, meanwhile, connect the copper plate to the other end of the circuit breaker marked BAT.
- Connect the copper plate to the connector of the battery.



► Nut fastening for motor & solenoid

1. Holding the lower nut on the stub and fastening the upper nut clockwise.
2. The torque setting for motor nut M6 is 5.7 N-m / 50 lb-in and solenoid nut M8 is 14 N-m / 124 lb-in.



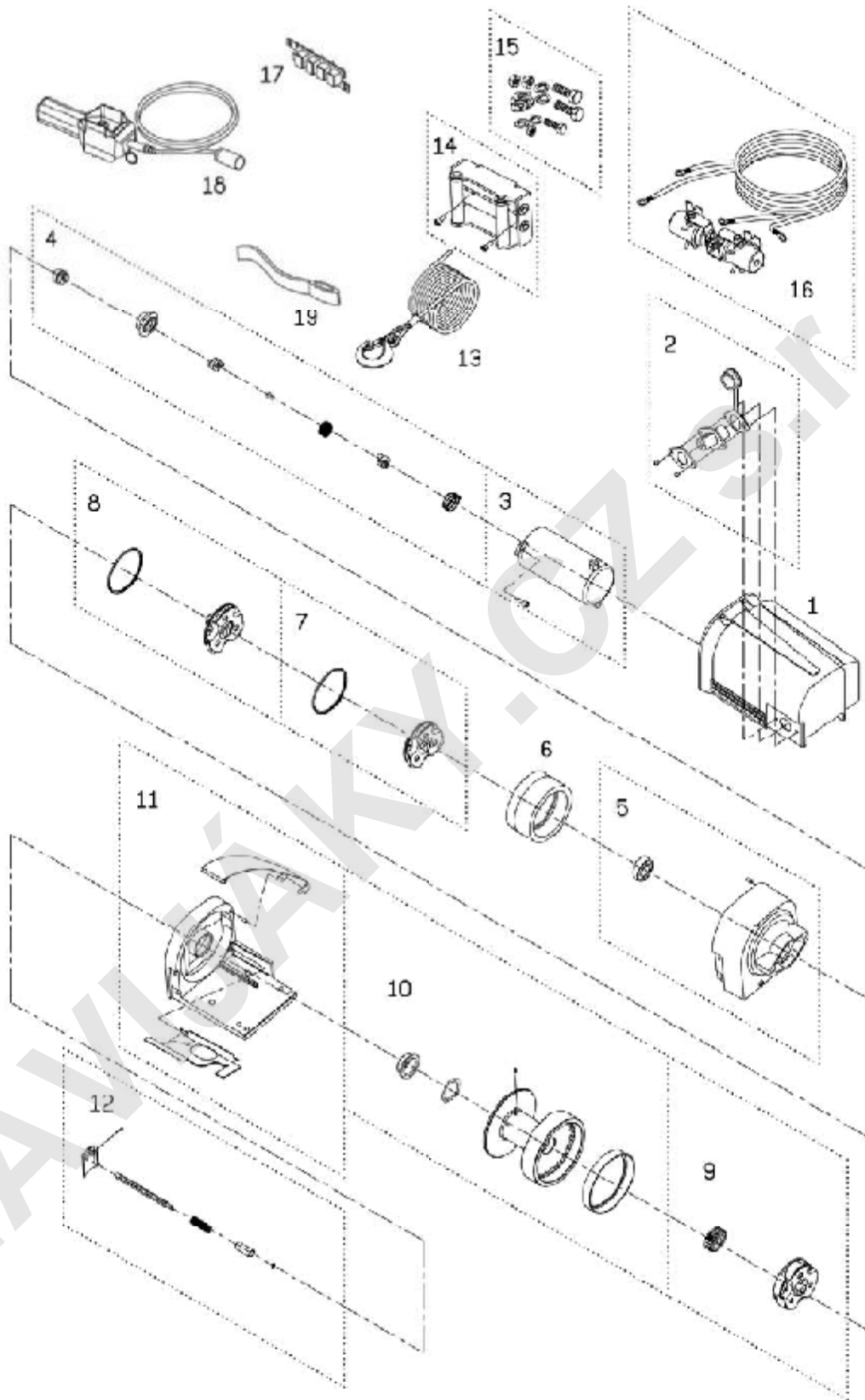
Warning

- The winch is not intended to be used in any manner for the movement or lifting of personnel.
- The pulling capacity shown is based on the wire rope first layer on the drum.
- The rope winding on the drum shall remain 5 wraps from the drum.

Parts List

Item No.	Description	Part No.	Qty
1	Rear cover	880136	1
2	Remote socket kit	880137	1
3	Motor kit, 12V	880296	1
	Motor kit, 24V	880297	
4	Brake kit	880280	1
5	Gear box kit	880281	1
6	Ring gear	880141	1
7	1 st stage carrier	880283	1
8	2 nd stage carrier	880284	1
9	3 rd stage carrier	880285	1
10	Drum kit	880286	1
11	Base plate kit	881284	1
12	Clutch kit	880287	1
13	Wire rope w/hook	880298	1
14	Roller fairlead	880289	1
15	Mounting hardware	880290	1
16	Solenoid pack, 12V	880291	1
	Solenoid pack, 24V	881290	
17	Circuit breaker kit, 12V	880299	1
	Circuit breaker kit, 24V	880300	
18	Remote control	880295	1
19	Handsaver strap	880026	1

Winch Assembly



Ver:13