

Introduction

► Feature

- Line pull: 4,309 kg / 9,500 lb synthetic rope first layer
Synthetic rope: 9.5 mm × 30.5 m (3/8"×100') synthetic rope SK-75
Brake: Patented cone brake holds full load
Clutch: Turn the T-handle for rapid rope payout
Control: Handheld pendant switch powers the winch

► Unpacking

- Winch assembly..... 1 pc
- Detachable control box..... 1 pc
- Remote control..... 1 pc
- Synthetic rope with hook..... 1 pc
- Hawse fairlead..... 1 pc
- 1.8 m (6') 2 gauge battery lead..... 1 pc
- Wireless Transmitter..... 1 pc

► Read this manual carefully

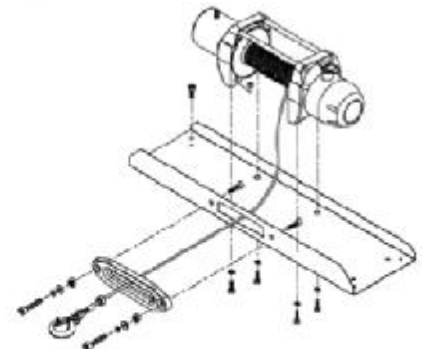
You should carefully read and understand this manual before operating it. Careless winch operation may result in personal injury hazards or property damage.

Installation

Before using the winch, make sure all electrical components have no corrosion or damaged; the environment should be clear and dry.

► Winch and hawse fairlead mountings

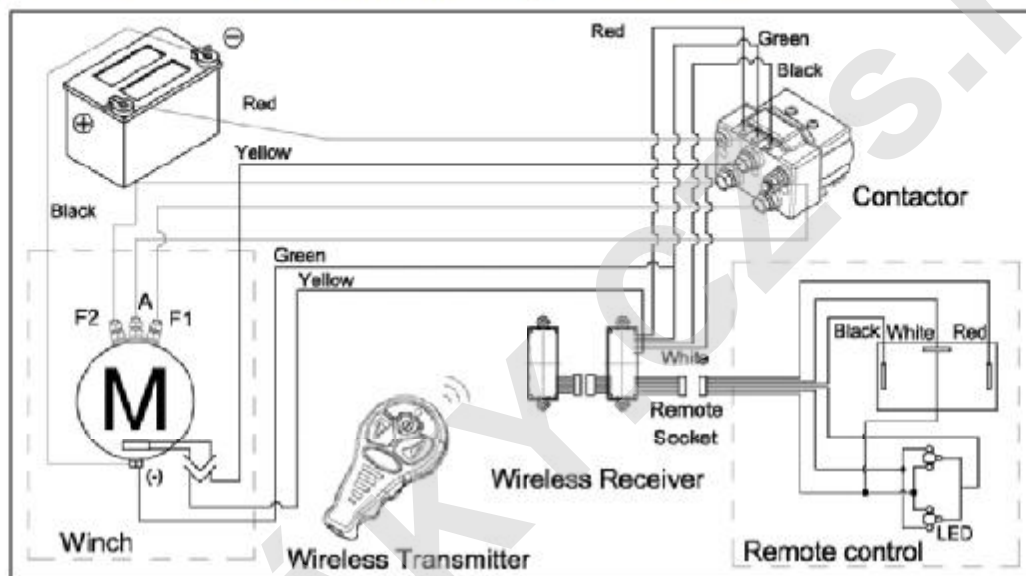
- It is very important that the winch will be mounted on a flat and hard surface of mounting channel in order to make sure the motor, drum and gearbox housing are aligned correctly.
- Hawse fairlead does not mount to the winch directly.



- The synthetic rope shall be wound in an under-wound orientation only.
- Four (4) M10 x 1.50 pitch 8.8 grade high tensile steel bolts must be used in order to sustain the loads imposed on the winch mounting.
- Two (2) M12 x 1.75 pitch 8.8 grade high tensile steel bolts must be used for fastening the hawse fairlead into the mounting channel.

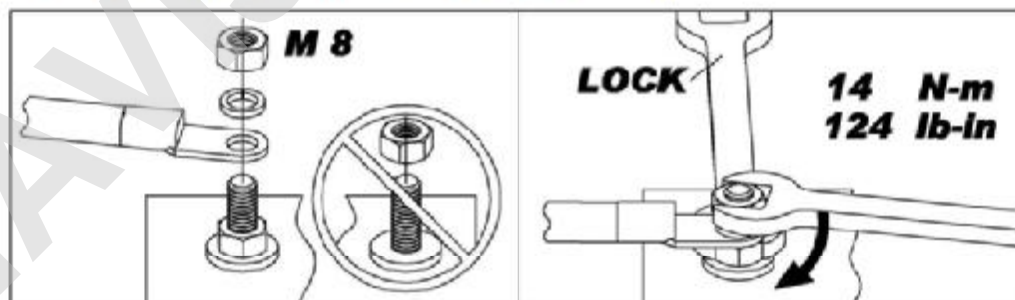
► Wiring Diagram

Attach the black lead firmly to the negative (-) battery terminal and red lead to the positive (+) battery terminal. The voltage drop for the winch motor must not exceed 10% of the nominal voltage of 12V DC.



► Nut fastening for motor & contactor

1. Holding the lower nut on the stub and fastening the upper nut clockwise.
2. The torque setting for nut is 14 N-m/124 lb-in.



Warning

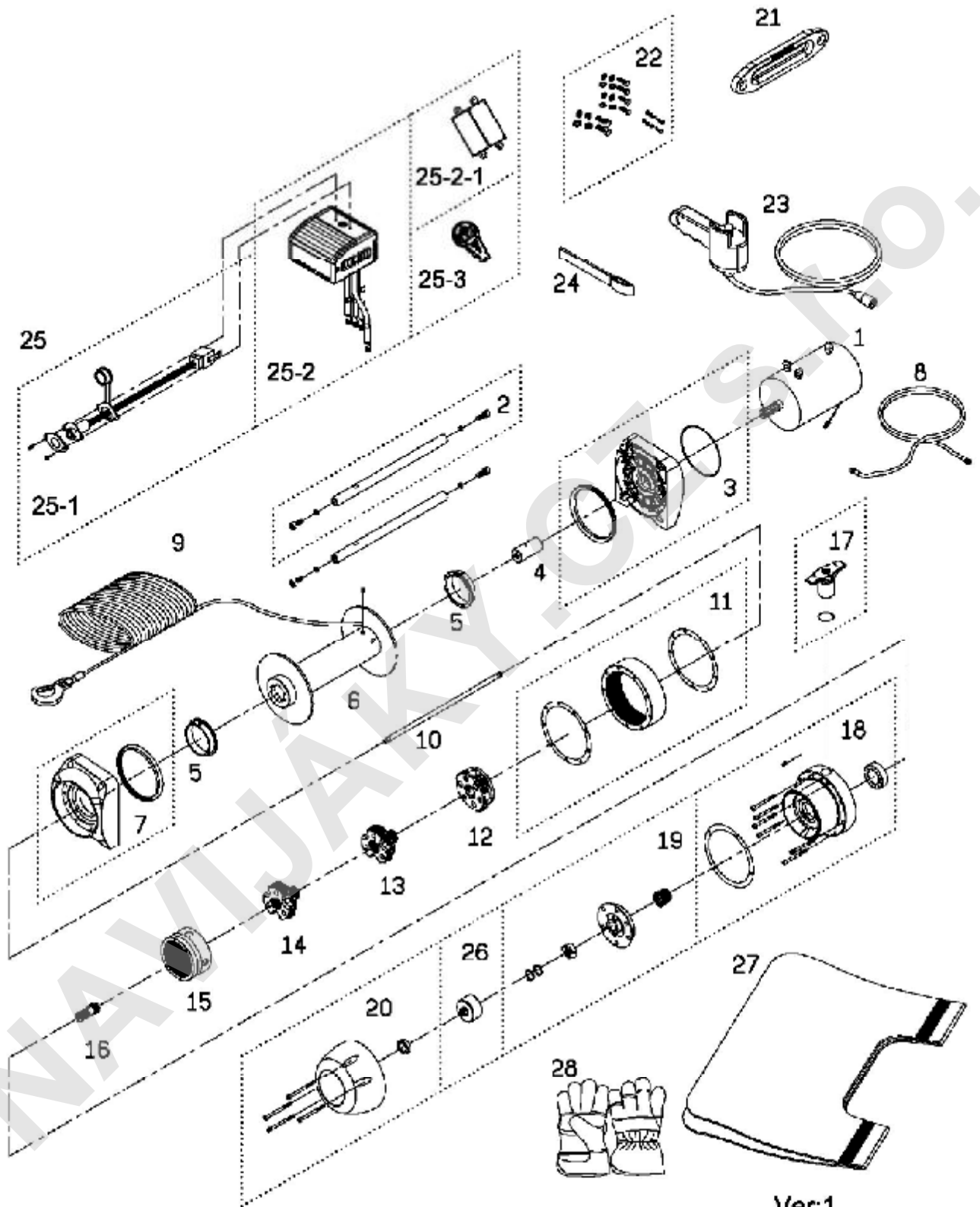
- The winch is not intended to be used in any manner for the movement or lifting of personnel.
- The rated line pull shown is based on the first layer of rope on the drum.
- The rope winding on the drum shall remain 5 wraps from the drum.

Parts List

Ver:1

Item No.	Description	Part No.	Qty
1	Motor 12V	881483	1
2	Tie bar kit	880349	2
3	Motor support rack	881562	1
4	Motor coupling	880005	1
5	Drum bushing	880006	2
6	Drum kit	881485	1
7	Gearbox support rack	881563	1
8	Grounding lead	880009	1
9	Synthetic rope with hook	881304	1
10	1 st shaft	880011	1
11	3 rd ring gear kit	880114	1
12	3 rd stage carrier	880115	1
13	2 nd stage carrier	880116	1
14	1 st stage carrier	880117	1
15	1 st & 2 nd ring gear	880118	1
16	1 st pinion	880119	1
17	Clutch kit	881564	1
18	Gear box kit	880121	1
19	Cone brake disc kit	880122	1
20	Brake cover kit	880123	1
21	Hawse fairlead	881061	1
22	Mounting hardware	880024	1
23	Remote control	880126	1
24	Handsaver strap	880026	1
25	Detachable control box 12V	881168	1
25-1	Remote socket kit 12V	881491	1
25-2	Detachable control pack 12V	881554	1
25-2-1	Wireless receiver	881489	1
25-3	Wireless transmitter	881102	1
26	Brake clutch base	881100	1
27	Damper	881557	1
28	Gloves	881558	1

Winch Assembly



Ver:1