

## **Introduction**

### **► Feature**

- Line pull: 4,309 kg / 9,500 lb synthetic rope first layer  
Synthetic rope: 9.5 mm × 30.5 m (3/8"×100') synthetic rope SK-75  
Brake: Patented cone brake holds full load  
Clutch: Turn the T-handle for rapid rope payout  
Control: Handheld pendant switch powers the winch

### **► Unpacking**

- Winch assembly..... 1 pc
- Bridge control box..... 1 pc
- Remote control..... 1 pc
- Synthetic rope with hook..... 1 pc
- Hawse fairlead..... 1 pc
- 1.8 m (6') 2 gauge battery lead..... 1 pc
- Wireless Transmitter..... 1 pc

### **► Read this manual carefully**

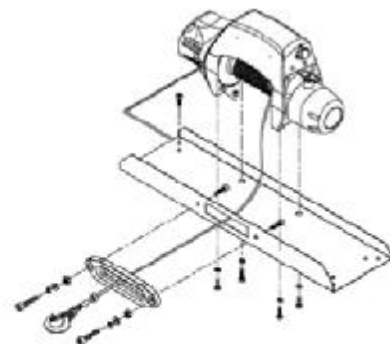
You should carefully read and understand this manual before operating it. Careless winch operation may result in personal injury hazards or property damage.

## **Installation**

Before using the winch, make sure all electrical components have no corrosion or damaged; the environment should be clear and dry.

### **► Winch and hawse fairlead mountings**

- It is very important that the winch will be mounted on a flat and hard surface of mounting channel in order to make sure the motor, drum and gearbox housing are aligned correctly.
- Hawse fairlead does not mount to the winch directly.
- The synthetic rope shall be wound in an

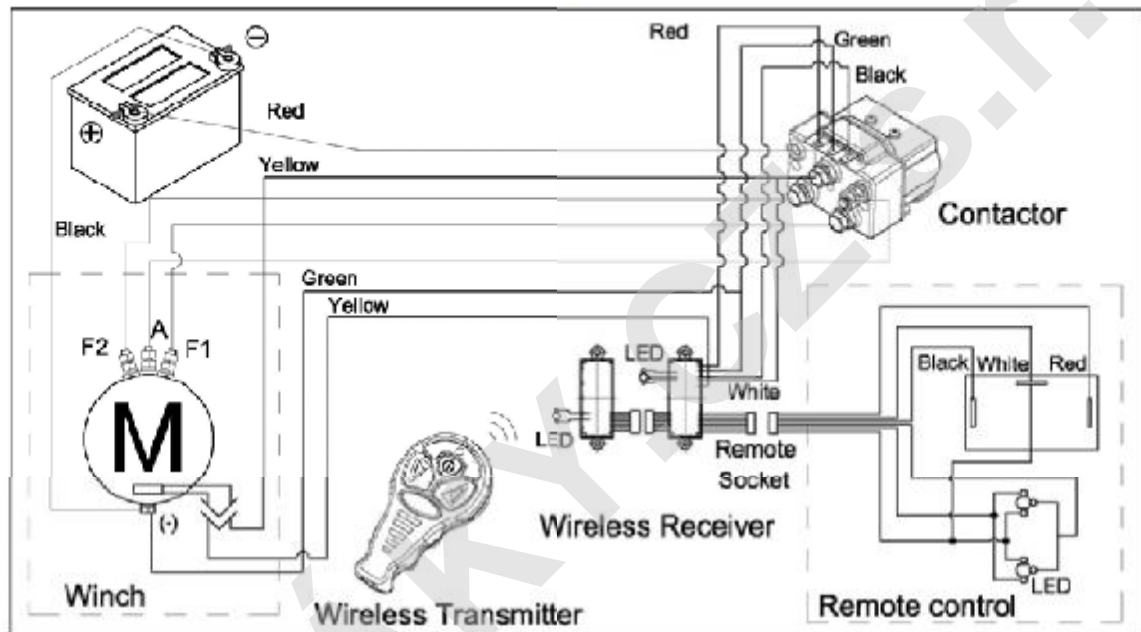


under-wound orientation only.

- Four (4) M10 x 1.50 pitch 8.8 grade high tensile steel bolts must be used in order to sustain the loads imposed on the winch mounting.
- Two (2) M12 x 1.75 pitch 8.8 grade high tensile steel bolts must be used for fastening the hawse fairlead into the mounting channel.

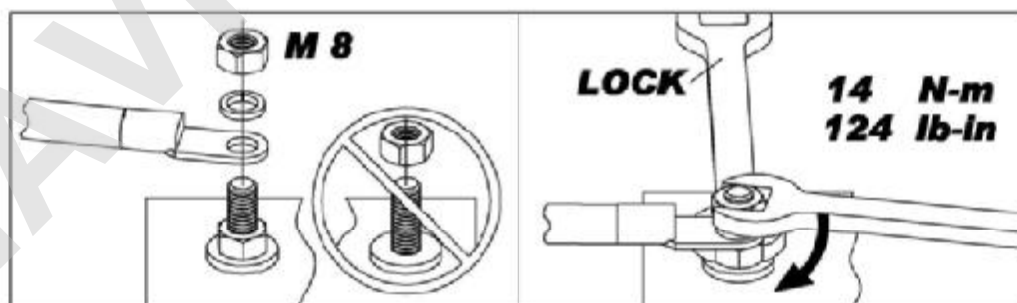
### ► Wiring Diagram

Attach the black lead firmly to the negative (-) battery terminal and red lead to the positive (+) battery terminal. The voltage drop for the winch motor must not exceed 10% of the nominal voltage of 12V DC.



### ► Nut fastening for motor & contactor

1. Holding the lower nut on the stub and fastening the upper nut clockwise.
2. The torque setting for nut is 14 N-m/124 lb-in.



### Warning

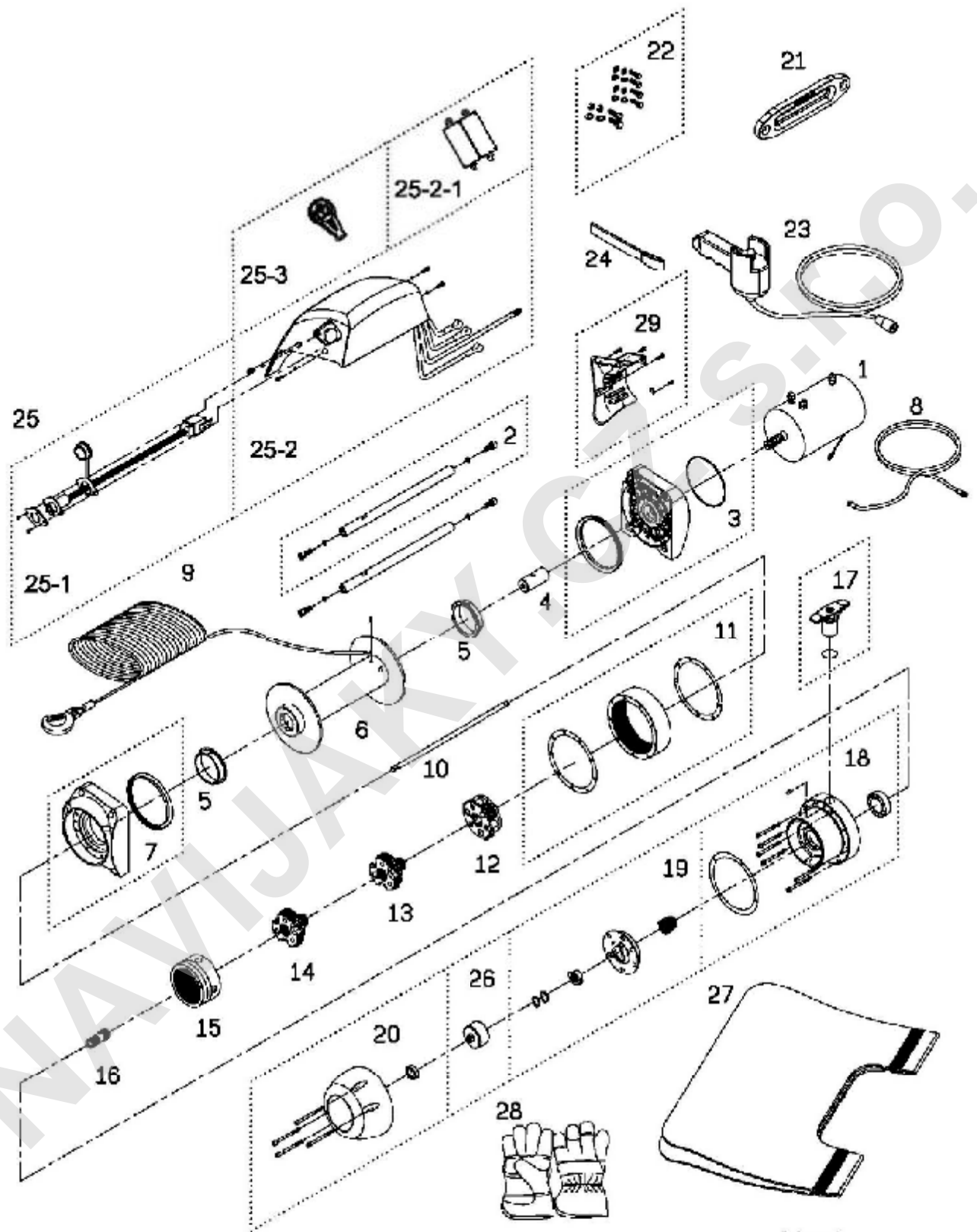
- The winch is not intended to be used in any manner for the movement or lifting of personnel.
- The rated line pull shown is based on the first layer of rope on the drum.
- The rope winding on the drum shall remain 5 wraps from the drum.

# Parts List

Ver:1

Item No.	Description	Part No.	Qty
1	Motor 12V	881483	1
2	Tie bar kit	880349	2
3	Motor support rack	881562	1
4	Motor coupling	880005	1
5	Drum bushing	880006	2
6	Drum kit	881485	1
7	Gearbox support rack	881563	1
8	Grounding lead	880009	1
9	Synthetic rope with hook	881304	1
10	1 <sup>st</sup> shaft	880011	1
11	3 <sup>rd</sup> ring gear kit	880114	1
12	3 <sup>rd</sup> stage carrier	880115	1
13	2 <sup>nd</sup> stage carrier	880116	1
14	1 <sup>st</sup> stage carrier	880117	1
15	1 <sup>st</sup> & 2 <sup>nd</sup> ring gear	880118	1
16	1 <sup>st</sup> pinion	880119	1
17	Clutch kit	881564	1
18	Gear box kit	880121	1
19	Cone brake disc kit	880122	1
20	Brake cover kit	880123	1
21	Hawse fairlead	881061	1
22	Mounting hardware	880125	1
23	Remote control	880126	1
24	Handsaver strap	880026	1
25	Bridge control box 12V	881170	1
25-1	Remote socket kit 12V	881491	1
25-2	Bridge control pack 12V	881492	1
25-2-1	Wireless receiver	881490	1
25-3	Wireless transmitter	881102	1
26	Brake clutch base	881100	1
27	Damper	881557	1
28	Gloves	881558	1
29	Motor side cover	881222	1

# Winch Assembly



Ver:1